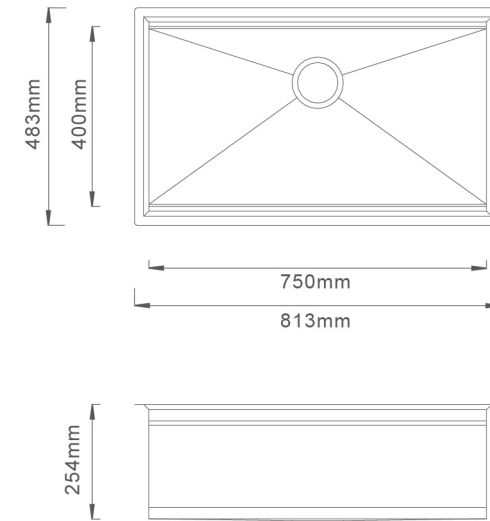


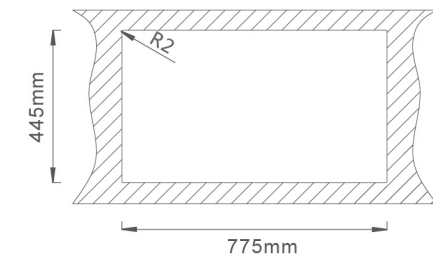
GRANGE.

SIZE



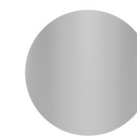
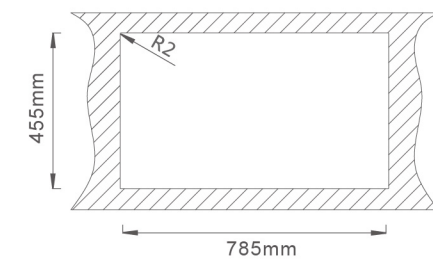
Cutout for undermount installation

775x445mm(4-R2)



Cutout for fully topmount installation

785x455mm(4-R2)



Satin

SPECIFICATIONS

SIZE(MM) :
813 x 483

TANK (MM):
750 x 400

DEPTH (MM):
254

THICKNESS(MM):
1.2

INSTALLATION

MOUNT OPTION:
Topmount
Undermount

CUSTOMER SIZE AVAILABLE

MAKE

HANDMADE

MATERIAL

SS304

BOARD

N/A

