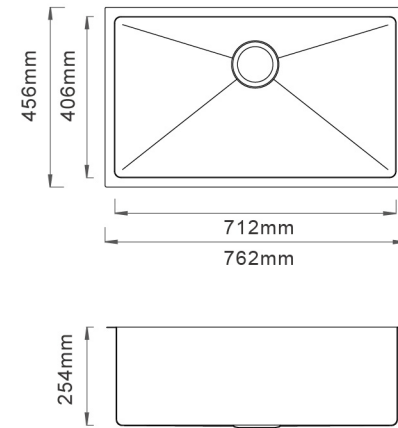




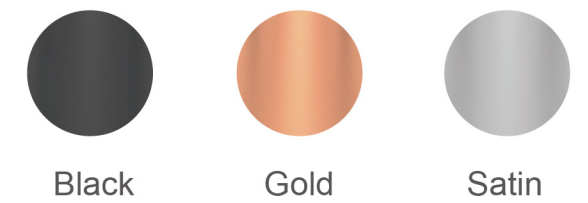
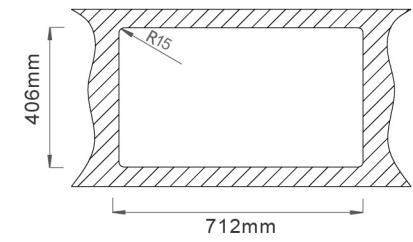
**HAMPTON.**

**SIZE**



**Cutout for undermount installation**

712x406mm(4-R15)



**SPECIFICATIONS**

**SIZE(MM) :**  
762 x 456

**TANK (MM):**  
712 x 406

**DEPTH (MM):**  
254

**THICKNESS(MM):**  
1.2

**INSTALLATION**

**MOUNT OPTION:**  
Undermount

**CUSTOMER SIZE AVAILABLE**

**MAKE**

HANDMADE

**MATERIAL**

SS304

**BOARD**

N/A